

Data sheet

3RB2036-2UW1

Overload relay 12.5...50 A For motor protection Size S2, Class 20
 Stand-alone installation Main circuit: straight-through transformer
 Auxiliary circuit: Screw terminal Manual-Automatic-Reset !!! Phased-
 out product !!! Successor is SIRIUS 3RB3 Preferred successor type
 is >>3RB3036-2UW1<<

| | |
|---------------------|----------------------------|
| Product brand name | SIRIUS |
| Product designation | solid-state overload relay |

General technical data

| | |
|--|-------------------------------|
| Size of contactor can be combined company-specific | S2 |
| Power loss [W] total typical | 0.05 W |
| Insulation voltage | |
| • with degree of pollution 3 rated value | 690 V |
| Surge voltage resistance rated value | 6 kV |
| Protection class IP | |
| • on the front | IP20 |
| Shock resistance | 15g / 11 ms |
| Type of protection | PTB 06 ATEX 3001 Ex II (2) GD |
| Reference code acc. to DIN EN 81346-2 | F |

Ambient conditions

| | |
|---|----------------|
| Installation altitude at height above sea level | |
| • maximum | 2 000 m |
| Ambient temperature | |
| • during operation | -25 ... +60 °C |
| • during storage | -40 ... +80 °C |
| • during transport | -40 ... +80 °C |
| Relative humidity during operation | 100 % |

Main circuit

| | |
|--|---------------|
| Number of poles for main current circuit | 3 |
| Adjustable pick-up value current of the current-dependent overload release | 12.5 ... 50 A |
| Operating voltage | |
| • at AC-3 rated value maximum | 690 V |

Auxiliary circuit

| | |
|--|---|
| Number of NC contacts for auxiliary contacts | 1 |
| Number of NO contacts for auxiliary contacts | 1 |
| Number of CO contacts | |
| • for auxiliary contacts | 0 |

| | |
|---|--------|
| Operating current of auxiliary contacts at AC-15 | |
| • at 24 V | 4 A |
| • at 110 V | 4 A |
| • at 120 V | 4 A |
| • at 125 V | 4 A |
| • at 230 V | 3 A |
| Operating current of auxiliary contacts at DC-13 | |
| • at 24 V | 2 A |
| • at 60 V | 0.55 A |
| • at 110 V | 0.3 A |
| • at 125 V | 0.3 A |
| • at 220 V | 0.11 A |

| | |
|--|-----------|
| Protective and monitoring functions | |
| Trip class | CLASS 20E |

| | |
|---|-----------------|
| Short-circuit protection | |
| Design of the fuse link | fuse gL/gG: 6 A |
| • for short-circuit protection of the auxiliary switch required | |

| | |
|---|--------------------------|
| Installation/ mounting/ dimensions | |
| Mounting position | any |
| Mounting type | stand-alone installation |
| Height | 92 mm |
| Width | 55 mm |
| Depth | 109 mm |
| Required spacing | |
| • with side-by-side mounting | |
| — forwards | 0 mm |
| — Backwards | 0 mm |
| — upwards | 0 mm |
| — downwards | 0 mm |
| — at the side | 0 mm |
| • for grounded parts | |
| — forwards | 0 mm |
| — Backwards | 0 mm |
| — upwards | 0 mm |
| — at the side | 6 mm |
| — downwards | 0 mm |
| • for live parts | |
| — forwards | 0 mm |
| — Backwards | 0 mm |
| — upwards | 0 mm |

- downwards
- at the side

0 mm
6 mm

Connections/Terminals

| | |
|---|--|
| Product function <ul style="list-style-type: none"> • removable terminal for auxiliary and control circuit | Yes |
| Type of electrical connection <ul style="list-style-type: none"> • for main current circuit • for auxiliary and control current circuit | straight-through transformers screw-type terminals |
| Type of connectable conductor cross-sections <ul style="list-style-type: none"> • for auxiliary contacts <ul style="list-style-type: none"> — solid — finely stranded with core end processing • at AWG conductors for auxiliary contacts | 0.5 ... 4 mm ² , 2x (0.5 ... 2.5 mm ²) 0.5 ... 2.5 mm ² , 2x (0.5 ... 1.5 mm ²) 2x (20 ... 14) |

Electromagnetic compatibility

| | |
|--|--|
| Conducted interference <ul style="list-style-type: none"> • due to burst acc. to IEC 61000-4-4 • due to conductor-earth surge acc. to IEC 61000-4-5 • due to conductor-conductor surge acc. to IEC 61000-4-5 | 2 kV (power ports), 1 kV (signal ports) corresponds to degree of severity 3 2 kV (line to earth) corresponds to degree of severity 3 1 kV (line to line) corresponds to degree of severity 3 |
| Field-bound parasitic coupling acc. to IEC 61000-4-3 | 10 V/m |
| Electrostatic discharge acc. to IEC 61000-4-2 | 6 kV contact discharge / 8 kV air discharge |

Certificates/approvals

| | | |
|--------------------------|-----|--------------------------------|
| General Product Approval | EMC | For use in hazardous locations |
|--------------------------|-----|--------------------------------|



| | | |
|---------------------------|-------------------|-------------------|
| Declaration of Conformity | Test Certificates | Marine / Shipping |
|---------------------------|-------------------|-------------------|



[Special Test Certificate](#)

[Type Test Certificates/Test Report](#)



| | |
|-------------------|-------|
| Marine / Shipping | other |
|-------------------|-------|



[Miscellaneous](#)

[Confirmation](#)

Further information

Information- and Downloadcenter (Catalogs, Brochures,...)

<http://www.siemens.com/industrial-controls/catalogs>

Industry Mall (Online ordering system)

<https://mall.industry.siemens.com/mall/en/en/Catalog/product?mlfb=3RB2036-2UW1>

Cax online generator

<http://support.automation.siemens.com/WW/CAXorder/default.aspx?lang=en&mlfb=3RB2036-2UW1>

Service&Support (Manuals, Certificates, Characteristics, FAQs,...)

<https://support.industry.siemens.com/cs/ww/en/ps/3RB2036-2UW1>

Image database (product images, 2D dimension drawings, 3D models, device circuit diagrams, EPLAN macros, ...)

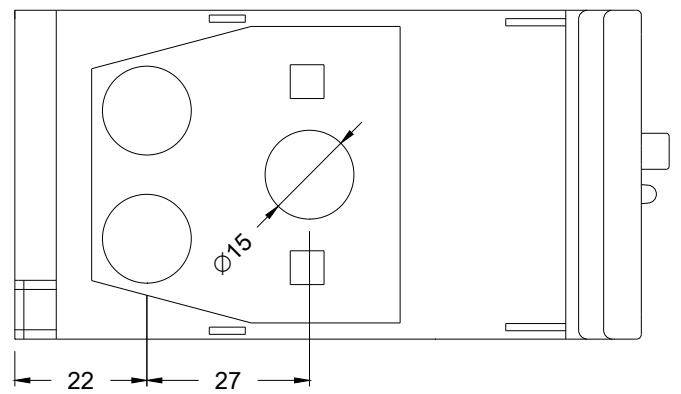
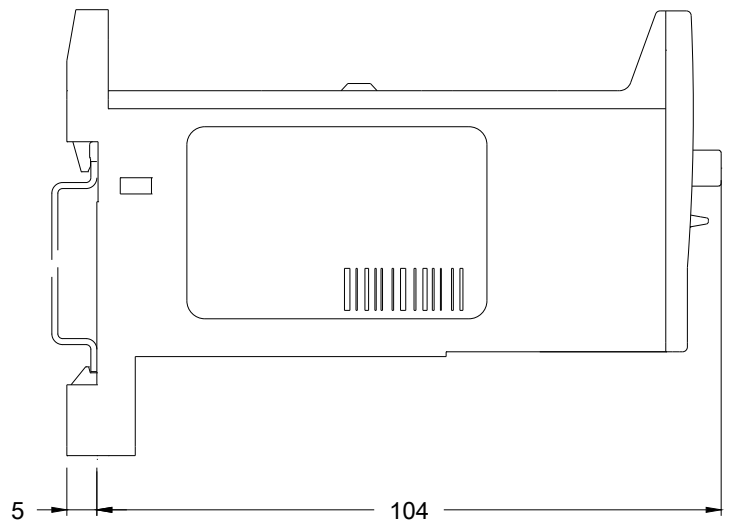
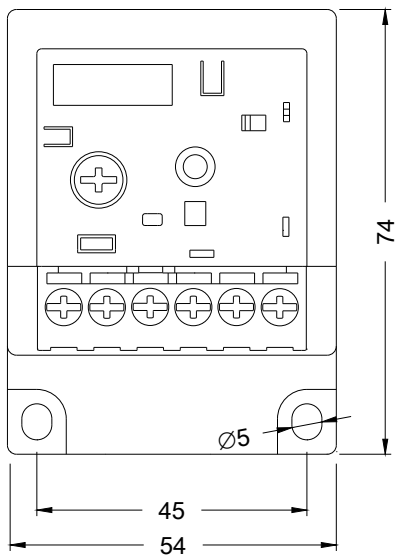
http://www.automation.siemens.com/bilddb/cax_de.aspx?mlfb=3RB2036-2UW1&lang=en

Characteristic: Tripping characteristics, I²t, Let-through current

<https://support.industry.siemens.com/cs/ww/en/ps/3RB2036-2UW1/char>

Further characteristics (e.g. electrical endurance, switching frequency)

<http://www.automation.siemens.com/bilddb/index.aspx?view=Search&mlfb=3RB2036-2UW1&objecttype=14&gridview=view1>



last modified:

07/20/2018