



#### Selection and ordering data

For contactors	Design	Order No.	List Price \$	Weight approx.
Type				kg

#### EMC interference suppression module, 3-phase; ≤ 7.5 HP

##### Size S00 (for contactors with AC or DC operation)

See also description on page 2/39

3RT19 16-1PA .



3RT10 1	<b>RC element</b> (3 x 220 ? /0.22 μF)	up to 400 V 575 V 690 V	<b>3RT19 16-1PA1</b> <b>3RT19 16-1PA2</b> <b>3RT19 16-1PA3</b>	1 unit
3RT10 1	<b>Varistor</b>	up to 400 V 575 V 690 V	<b>3RT19 16-1PB1</b> <b>3RT19 16-1PB2</b> <b>3RT19 16-1PB3</b>	

#### Main conducting path surge suppression module for 3RT12 vacuum contactors

##### Sizes S10 and S12

3RT12	Rated operational voltage $U_e \geq AC 500 V \dots \leq AC 690 V$ Rated operational voltage $U_e \leq AC 1 000 V$ For damping overvoltages and protecting the motor windings against multiple reignition when switching off three-phase motors. For connection on the contactor feeder side (2-T1/4-T2/6-T3). For separate installation.	<b>3RT19 66-1PV3</b> <b>3RT19 66-1PV4</b>	1 unit 0.18 0.36
-------	--	--	------------------------

#### Additional load module

##### Size S00 (also for Cage Clamp connection)

3RT19 16-1GA00



3RT1 . 1, 3RH1 .	<b>For plugging onto the front of contactors with or without an auxiliary switch block</b>  For increasing the permissible residual current and for limiting the residual voltage. Ensures safe opening of contactors with direct control via AC 230 V semiconductor outputs of SIMATIC controls. Also performs the function of a surge damping circuit. Rated voltage: AC 50/60 Hz, 180 V ... 255 V. Coil voltage tolerance: 0.8 ... 1.1 x $U_s$	<b>3RT19 16-1GA00</b>	1 unit
---------------------	---	-----------------------	--------

#### Additional load module

##### Size S00



3RK1 903-0CA00

3RT1 . 1, 3RH1 .	For manual operation of the contactor contacts for start-up and service	<b>3RK1 903-0CA00</b>	1 unit
---------------------	---	-----------------------	--------

# Contactors and Contactor Assemblies

## 3RT1 Contactors

SIRIUS



### Accessories for contactors with screw connections

#### Selection and ordering data

For contactors	Design	Order No.	List Price \$	Weight approx.
Type				kg

#### Interface for control by PLC

##### Sizes S0 to S3

##### For mounting onto the coil terminals of the contactors

3RH19 24-1GP11



3RT1 . 2,  
3RT1 . 3,  
3RT1 . 4

Coil voltage tolerance DC 17 V ... 30 V  
Power consumption: 0.5 W at DC 24 V  
Permissible residual current of electronics (with 0 signal): 2.5 mA  
Rated operational current  $I_o$ :  
AC-15/AC-14 at 230 V: 3 A, DC-13 at 230 V: 0.1 A  
With LED for indicating circuit state.  
With integrated varistor for damping opening surges.

1 unit

**3RH19 24-1GP11**

#### LED module for indicating contactor operation (also for Cage Clamp connection)

##### Sizes S0 to S3

3RT19 26-1QT00

mounted on contactor



3RT1 . 2,  
3RT1 . 3,  
3RT1 . 4

For snapping into the location hole of an identification label on the front of a contactor.  
The LED module is connected to coil terminals A1 and A2 of the contactor and indicates its energized state. Yellow LED.  
Rated voltage: AC/DC 24 V ... 240 V, polarized.

Standard pack qty. = 5

**3RT19 26-1QT00**

#### Auxiliary conductor terminal, 3-pole

##### Size S3

3RT19 46-4F



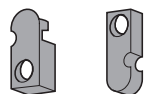
3RT10 4.

For connecting auxiliary and control leads to the main conductor terminals (for one side)

1 unit

**3RT19 46-4F**

#### Mounting Accessory for size S0-3RT1.2

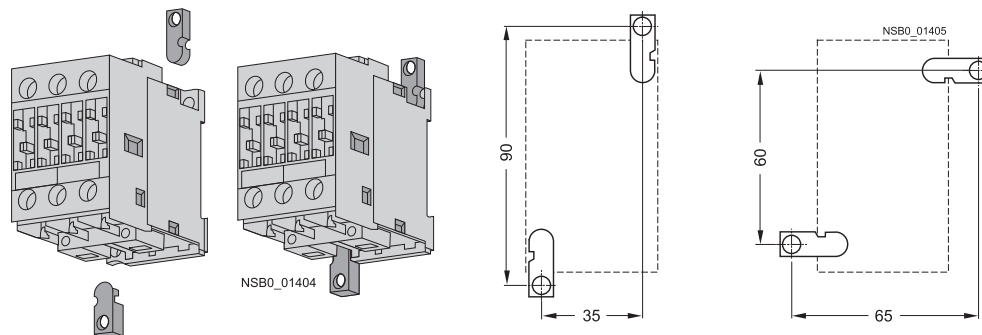


NSB0\_01470

Additional mounting option for 3RT1.2

**3RT19 26-4P**

Standard pack qty. = 10



3RH19 24-1GP11 interface:  
For description, see page 2/85.  
For technical data, see page 2/151.  
For terminal diagram, see page 2/85.



Selection and ordering data

For contactors Type	Design	Order No.	List Price \$ 1 pack	Weight approx. kg
---------------------	--------	-----------	-------------------------	----------------------

Solder pin adapter for contactors and control relays

Size S00



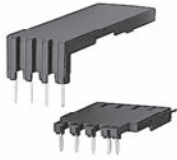
3RT1 . 1  
3RH11 Installation kit for soldering contactors onto a printed circuit board.  
1 pack contains 8 parts for 4 contactors.

3RT19 16-4KA1



Solder pin adapter for contactors with mounted 4-pole auxiliary switch block

Size S00



3RT1 . 1  
3RH11 Installation kit for soldering contactors with an auxiliary switch block onto a printed circuit board  
1 pack contains 16 parts for 4 contactors and 4 auxiliary switch blocks.

3RT19 16-4KA2



3RT19 16-4BB31



3RT19 16-4BB41



3RT19 36-4BB31



3RT19 56-4BA31

Size	For contactors Type	Maximum resistive current $I_e/AC-1$ (at 60°C) of contactors A	Max. conductor cross-sections mm <sup>2</sup>	Order No.	List Price \$ 1 unit	Weight approx. kg
------	---------------------	---	--	-----------	-------------------------	----------------------

Links for paralleling

3-pole, with terminal <sup>1)2)</sup>						
S00	3RT10 1.	50	25	3RT19 16-4BB31		
S0	3RT10 2.	75	35, stranded	3RT19 26-4BB31		
S2	3RT10 3.	138	95	3RT19 36-4BB31		
3-pole, with through hole (WYE jumpers) <sup>1)2)</sup>						
S3	3RT10 4.	250	185	3RT19 46-4BB31		
S6	3RT1 . 5	625	-	3RT19 56-4BA31		0.15
S10/S12	3RT1 . 6, 3RT1 . 7	1625	-	3RT19 66-4BA31		
4-pole, with terminal <sup>1)2)</sup>						
S00	3RT1 . 1.	63	25	3RT19 16-4BB41		

1) The links for paralleling can be reduced by one pole.

2) Sizes S00 to S2:  
Size S3:  
Sizes S6 to S12:

The links for paralleling are insulated.  
A cover plate is supplied separately packed for shock-hazard protection.  
(Can only be used when the box terminal is removed.)  
The 3RT19 56-4EA1 (with S6) or 3RT19 66-EEA1 (with S10 and S12) cover can be used for shock-hazard protection.

# Contactors and Contactor Assemblies

## 3RT1 Contactors

SIRIUS



### Accessories for contactors

#### Selection and ordering data

For contactors	Design	Order No.	List Price \$	Weight approx.
Size	Type		1 unit	kg

#### Box terminal block for contactors with screw connections

3RT19 5.-4G



#### For circular conductors and ribbon cables

For connectable cross-sections, see technical data of contactors, page 2/99

<b>S6</b>	3RT1 . 5 (3RB10 5)	up to 70 mm <sup>2</sup> 2/0 AWG up to 120 mm <sup>2</sup> 4/0 AWG	<b>3RT19 55-4G</b> <b>3RT19 56-4G</b>	0.23 0.26
<b>S10,</b> <b>S12</b>	3RT1 . 6, 3RT1 . 7 (3RB10 6)	240 mm <sup>2</sup> –500 mcm <sup>2</sup> with auxiliary conductor connection	<b>3RT19 66-4G</b>	0.64

#### Covers for contactors with screw connections

3RT19 36-4EA2



#### Terminal cover for box terminals

Additional shock-hazard protection for mounting on the box terminals (2 units required per contactor)

<b>S2</b>	3RT10 3		<b>3RT19 36-4EA2</b>	0.012
<b>S3</b>	3RT10 4, 3RT14 4		<b>3RT19 46-4EA2</b>	
<b>S6</b>	3RT1 . 5	Length: 25 mm	<b>3RT19 56-4EA2</b>	0.016
<b>S10,</b> <b>S12</b>	3RT1 . 6, 3RT1 . 7	Length: 30 mm	<b>3RT19 66-4EA2</b>	

3RT19 46-4EA1



#### Terminal cover for cable lug and busbar connection

For complying with the phase clearances and as shock-hazard protection in the case of a distant box terminal<sup>1)</sup> (2 units required per contactor)

<b>S3</b>	3RT10 4, 3RT14 4		<b>3RT19 46-4EA1</b>	0.028
<b>S6</b>	3RT1 . 5	Length: 100 mm	<b>3RT19 56-4EA1</b>	0.05
<b>S10,</b> <b>S12</b>	3RT1 . 6, 3RT1 . 7	Length: 120 mm	<b>3RT19 66-4EA1</b>	
<b>S6</b>	3RT1 . 5	Length: 27 mm	<b>3RT19 56-4EA3</b>	0.018
<b>S10,</b> <b>S12</b>	3RT1 . 6, 3RT1 . 7	Length: 42 mm	<b>3RT19 66-4EA3</b>	

For covering bars between the contactor and 3RB10 overload relay or wiring connector for contactor assemblies

#### Selection and ordering data

Design	Order No.	List Price \$	Weight approx.
			kg

#### Insulation stop for securely holding back the conductor insulation on conductors up to 1 mm<sup>2</sup>

3RT19 16-4JA02



Insulation stop strip  
Can be inserted into the cable entry of the Cage Clamp (2 strips required per contactor, detachable in pairs)  
1 pack contains 20 strips for 10 contactors

Fits in the cable entry of all SIRIUS devices with Cage Clamp connections up to max. 2.5 mm<sup>2</sup> / 14 AWG conductor cross-section.

		1 pack	
<b>3RT19 16-4JA02</b>			0.02

#### Tool for opening the Cage Clamp connection

8WA2 803



For all SIRIUS devices with Cage Clamp connections up to max. 2.5 mm<sup>2</sup> / 14 AWG conductor cross-section. Length approx. 175 mm; 3.5 x 0.5

(green)

**Product Category: TBLK**

		1 unit	
<b>8WA2 803</b>			0.029

1) Refer to the note on page 2/107, conductor cross-sections.